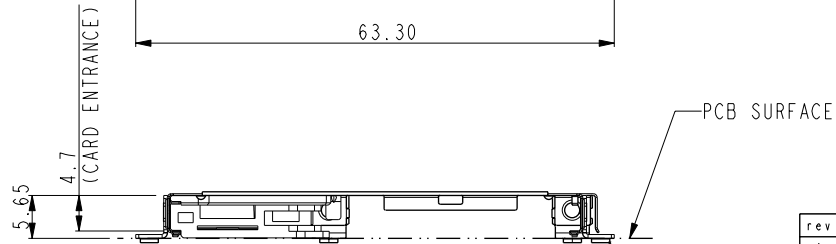
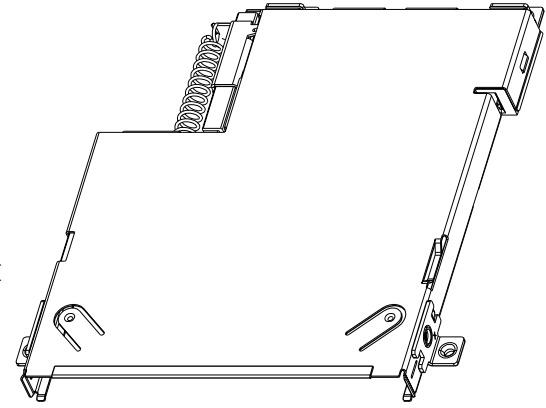
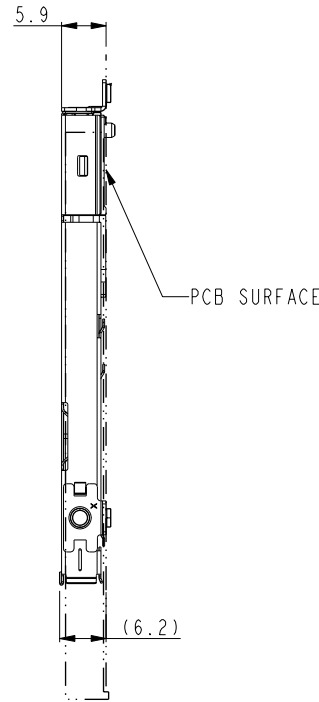
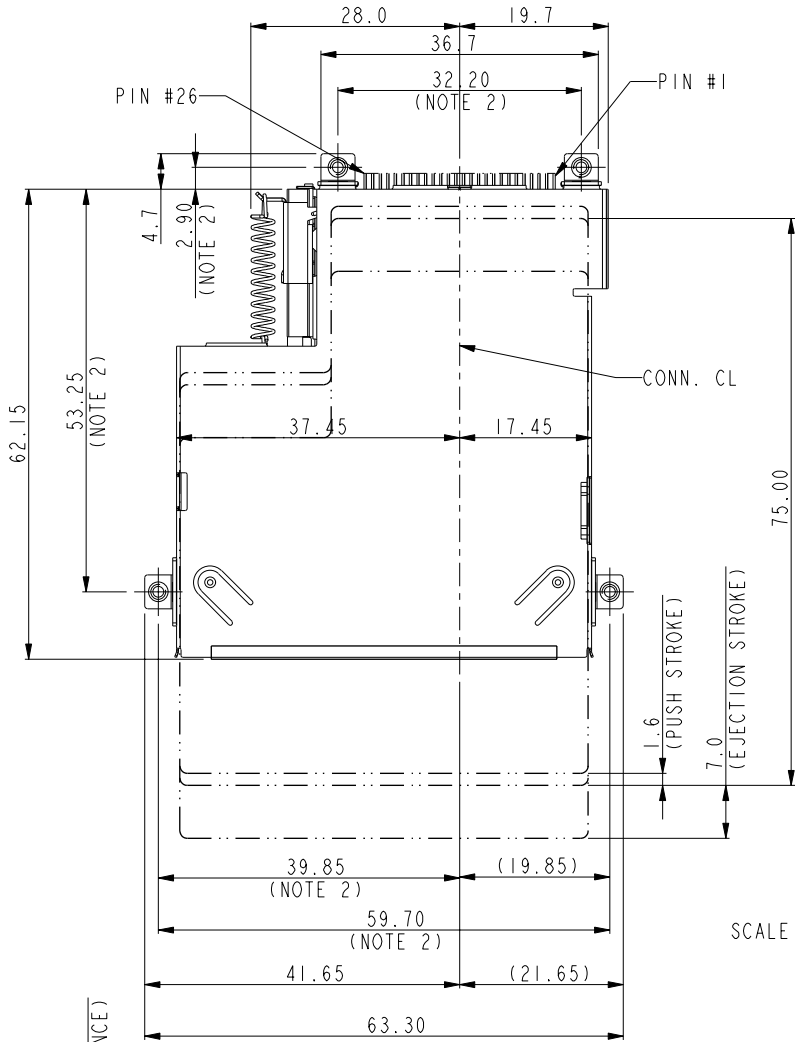


Tous droits strictement réservés. Reproduction ou communication à des tiers interdite sous quelque forme que ce soit sans autorisation écrite du propriétaire. Propriété de FCI. Droits de reproduction FCI.



All rights strictly reserved. Reproduction or issue to third parties in any form whatever is not permitted without written authority from the proprietor. Property of FCI. Copyright FCI.



|                                      |           |
|--------------------------------------|-----------|
| tolerance unless otherwise specified |           |
| linear                               | .X ± .5   |
|                                      | .XX ± .30 |
| angles                               | 0° ± 2°   |

|            |                    |           |                      |                        |              |
|------------|--------------------|-----------|----------------------|------------------------|--------------|
|            | www.fciconnect.com |           | tolerance ASME Y14.5 | projection             | MM           |
|            | Dr                 | KENNY TAI | 04/07/05             | Product family         | size A4      |
|            | Eng                | KENNY TAI | 04/07/05             | Spec ref *             | Scale 1.000  |
|            | Chr                | KENNY TAI | 04/07/05             | Material               | ECN T05-0244 |
|            | Appr               | PAUL WANG | 04/07/05             |                        |              |
| title      |                    |           |                      | BELOW MOUNT, 0 S/O     |              |
| title      |                    |           |                      | EXPRESSCARD HOST MECH. |              |
| catalog no |                    |           | 10055263             | CUSTOMER               | sheet 1 of 2 |
|            |                    |           |                      | dwg no                 | 10055263     |
|            |                    |           |                      | Rev.                   | B            |

| rev | ecn no   | dr  | date     |
|-----|----------|-----|----------|
| A   | T05-0186 | TAI | 08/31/05 |
| B   | T05-0244 | TAI | 11/02/05 |
| -   | -        | -   | -        |
| -   | -        | -   | -        |
| -   | -        | -   | -        |
| -   | -        | -   | -        |

1

2

3

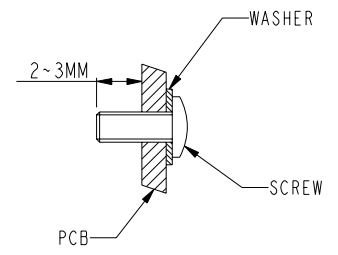
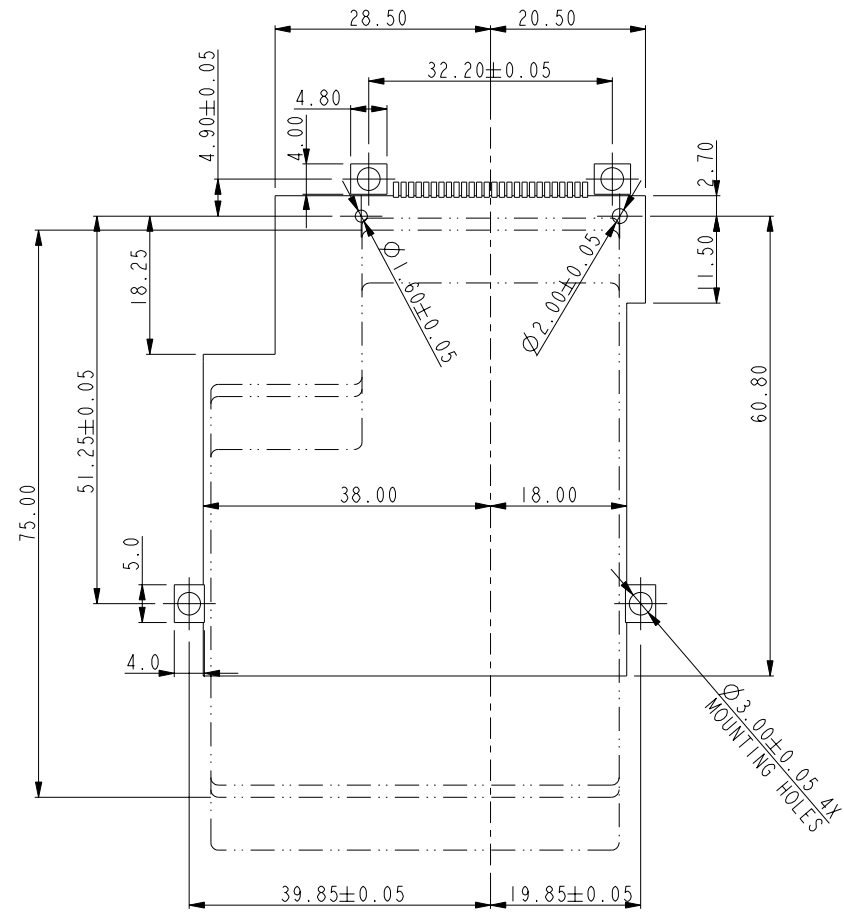
4

| PART NO.       | MOUNTING | STAND-OFF | HOST CONN P/N     | PRODUCT SPEC. | PACKING SPEC. |
|----------------|----------|-----------|-------------------|---------------|---------------|
| 10055263-00BLF | BELOW    | 0MM       | 10055262-X00BXXLF | GS-12-301     | GS-14-295     |

Tous droits strictement reserves. Reproduction ou communication a des tiers interdite sous quelque forme que ce soit sans autorisation écrite du propriétaire. Propriete de c FCI. Droits de reproduction FCI.



All rights strictly reserved. Reproduction or issue to third parties in any form whatever is not permitted without written authority from the proprietor. Property of FCI. Copyright FCI.



DETAIL 2  
RECOMMENDED SCREW LENGTH

 NO MOUNTING PART AREA

- NOTE:
- 4 M2\*0.4P SCREWS WITH WASHER ARE REQUIRED.
  - SHOW DIMENSION AFTER FASTENED TO PCB.
  - SEE HOST CONNECTOR DRAWINGS FOR PCB LAYOUT DETAIL.
  - RECOMMENDED TIGHTING TORQUE 1.6~1.8 KGF-CM.
  - SEE DETAIL 2 FOR RECOMMENDED SCREW LENGTH.

RECOMMENDED PCB LAYOUT  
VIEW FROM MOUNTING SIDE  
SCALE 1.000

|            |                        |          |              |          |      |   |
|------------|------------------------|----------|--------------|----------|------|---|
| title      | BELOW MOUNT, 0 S/O     |          | dwg no       | 10055263 | Rev. | B |
|            | EXPRESSCARD HOST MECH. |          |              |          |      |   |
| catalog no | 10055263               | CUSTOMER | sheet 2 of 2 |          |      |   |